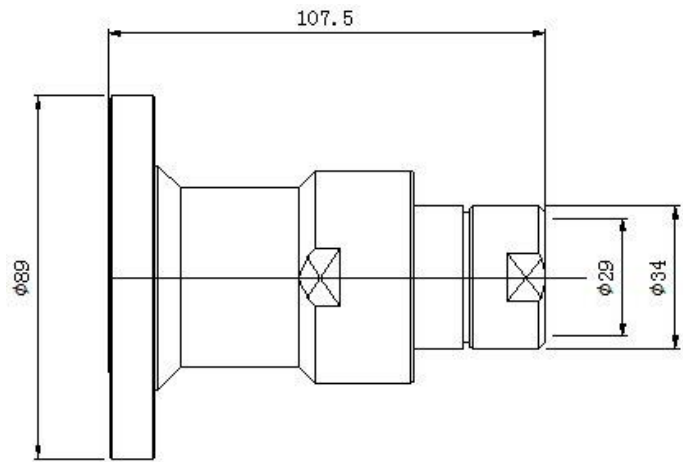
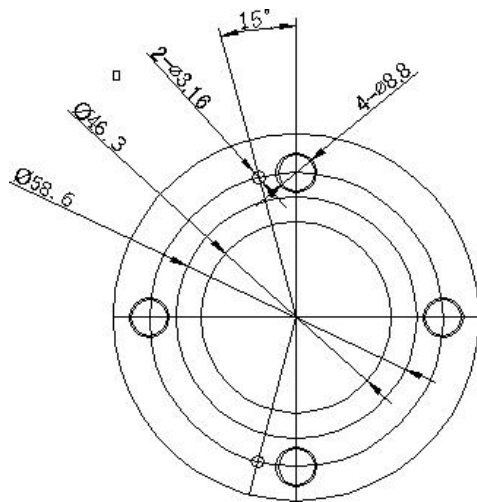


1-5/8" EIA Flange Connector For 7/8" Foam Feeder Cable^(13/8EIA-J7/8)



Interface

According to

1-5/8" EIA Flange

Electrical

Characteristic Impedance	50 ohm
Operating Frequency Range	DC-3GHz
VSWR	≤1.07@DC-1000MHz
Dielectric Withstanding Voltage	≥6000V RMS, 50Hz, at sea level
Dielectric Resistance	≥5000M Ω
Average Power	7.0KW@900MHz
Peak Power Maximum	90KW
Contact Resistance	Center Contact ≤1.5m Ω Outer Contact ≤1.5m Ω

Mechanical

Durability Mating cycles ≥100

Material and plating

	Material	Plating
Body	Brass	Ni
Insulator	PTFE	—
Center conductor	Phosphor bronze	Ag
Coupling nut	Brass	Ni
Gasket	Silicone rubber	—
Cable clamp	Brass	Ni
Hardware kits	Stainless steel	—

Environmental

Operating Temperature Range	-45°C ~ +85°C
Weatherproof Rate	IP 67
RoHS Compliant	Yes

Suited Cable: Andrew LDF5-50, AL5-50, RFS LCF78-50; Leoni 7/8"R, Hansen 7/8", Eupen EC5-50